

SANGFOR DR

Safeguard Your Business with Effortless aCloud DR



www.sangfor.com



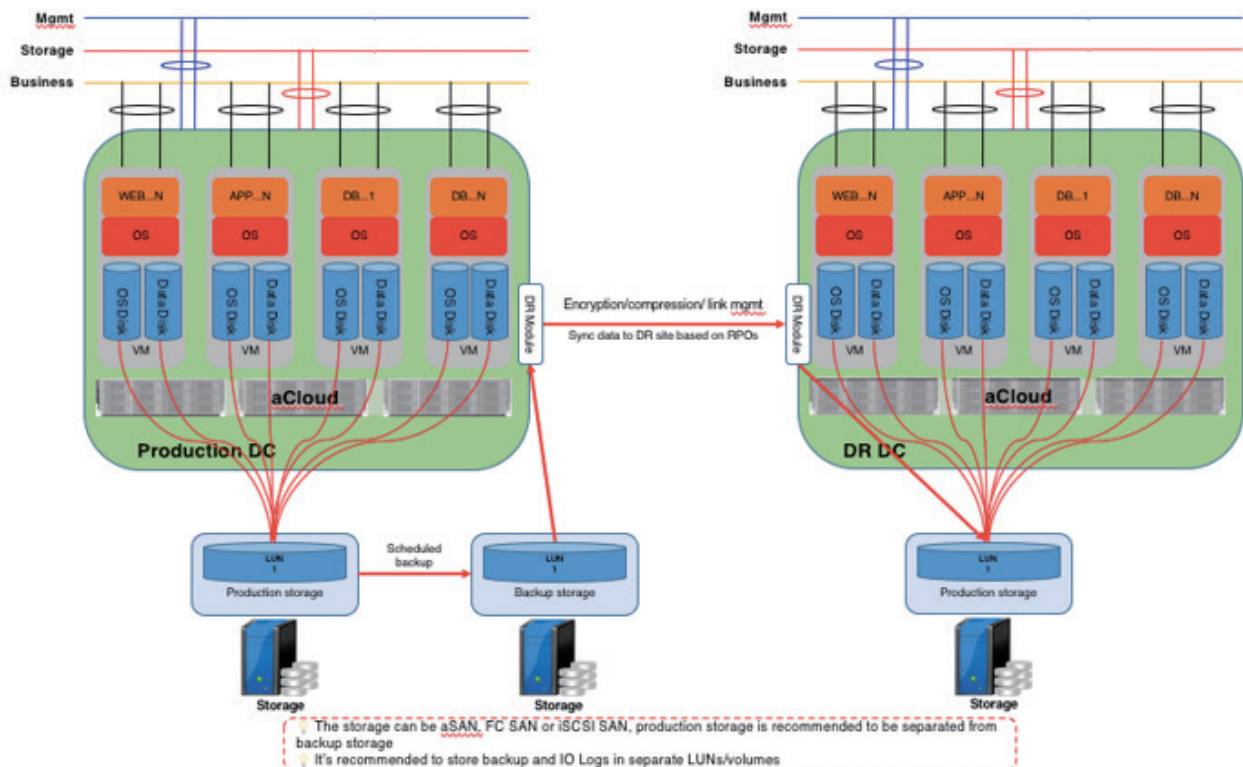
Why is Disaster Recovery Necessary for Your Business?

You wouldn't buy a car without buying insurance, so why would you have a business without a disaster recovery plan? [Disaster Recovery](#) is a crucial part of every company's IT strategy, and without it you open yourself up to potential catastrophic data loss.

[Downtime](#) can happen to any business, at any time, for any reason. For many companies, downtime means lost revenue. But the cost of downtime spans beyond the monetary, with any downtime having the potential to cost your business its reputation and, as a result, customers. In some cases, downtime can mean life or death, like when a hospital experiences an extended outage of its Electronic Health Records. The longer you are offline, the more damage your company will experience. Having a disaster recovery plan in place helps businesses to outline parameters for getting back online while reducing the overall impact of downtime. This can include having a failover plan to get up and running through a secondary site.

The Disaster Recovery Solution on aCloud - Simple Yet Comprehensive

Sangfor offers a 1-stop disaster recovery solution based on the industry-leading enterprise cloud platform aCloud, to enable 1-click failover and failback, optimal RPO and visualized DR management and monitoring. In addition to local backup and CDP, aCloud DR extends its protection off-site and achieves granular protection levels for a wide range of DR objectives. Based on the HCI-architected aCloud platform, DR capability is integrated without additional 3rd party software, simply activate a license and DR is right at your fingertips.



A Holistic view of aCloud DR

What Sangfor aCloud Disaster Recovery Solution Offers

1-Click Failover

1-click failover can be achieved after preconfiguring disaster recovery policy, reducing RTO significantly. With instant recovery, failover time can be as short as 2-5 minutes.

Flexible RPO Choices

Providing a wide range of RPO choices ranging from a minimum 1 second to minutes and hours depending on various application requirements.

Compression and Encryption

Data is compressed in LZ4 algorithm with up to 50% compression ratio before transmission to reduce bandwidth consumption. Encryption is also implemented in AES 256 to secure data in real time.

Incremental Failback.

Failback is done incrementally, with only incremental data transmitted to a production site to realize fast failback.

Disaster Recovery Drill

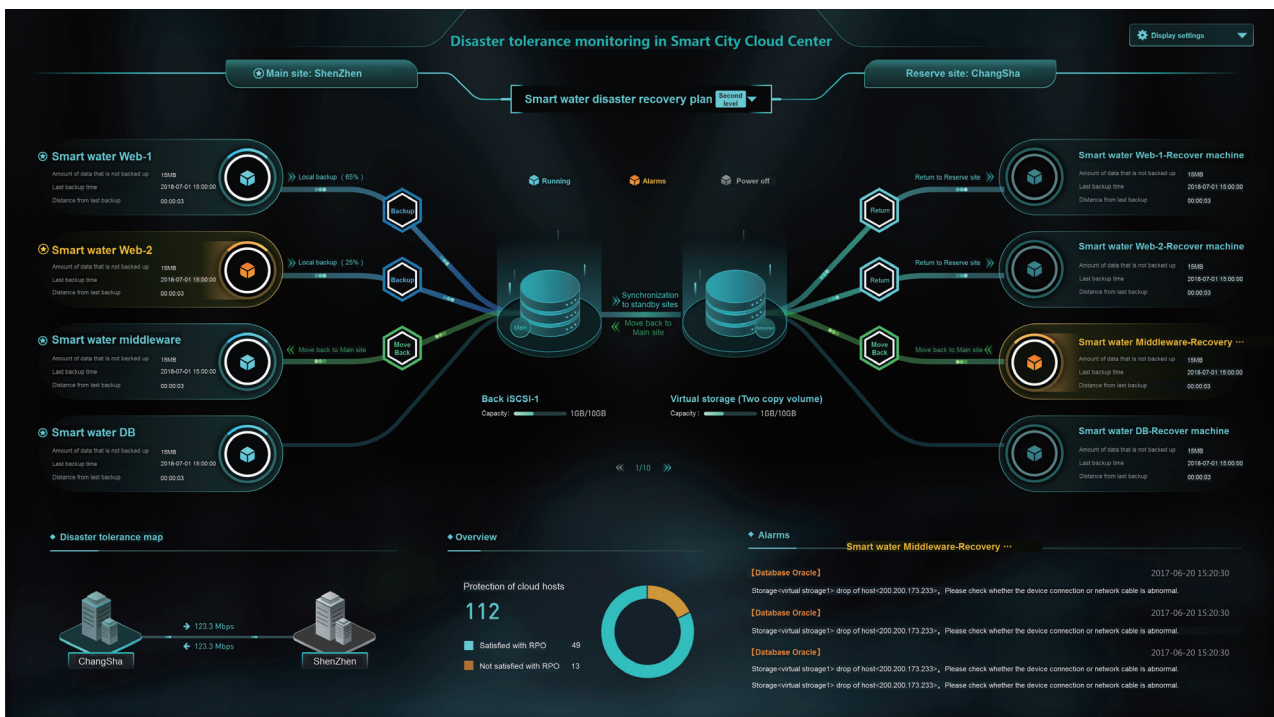
User is able to test DR effectiveness with 1-click DR drill function on aCloud.

Continuous Backup on the Breakpoint

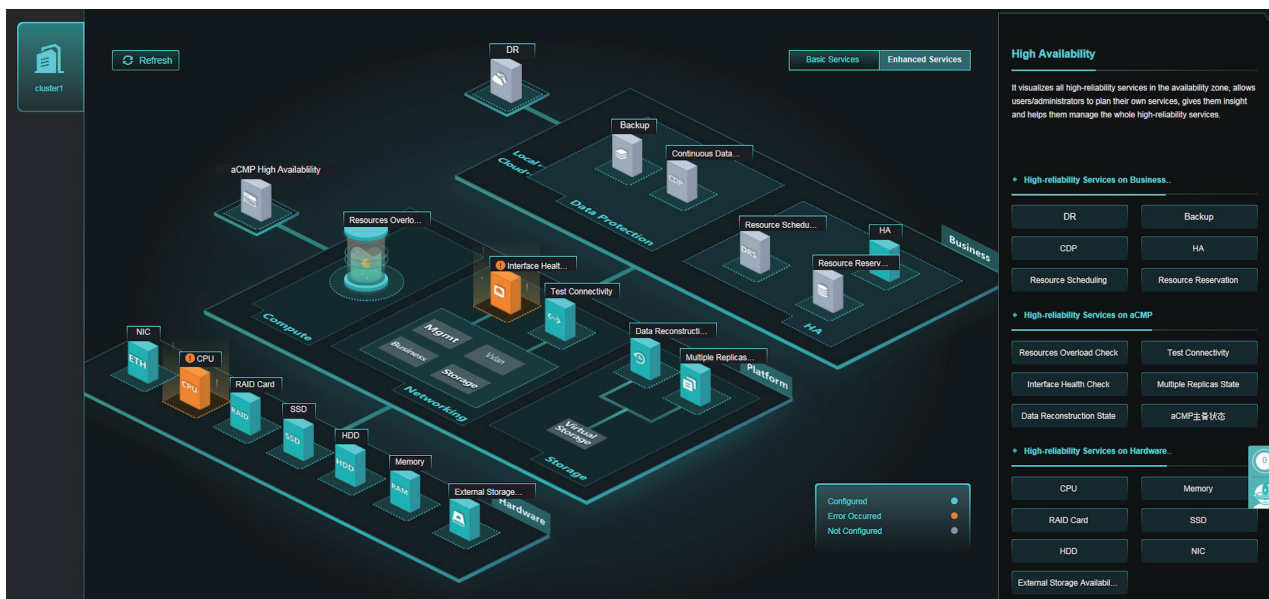
In the event of link failure, replication can be resumed from the breakpoint with no need to restart the backup.

Visualized DR Monitoring

A visualized and intuitive GUI to display various DR metrics for easy and holistic DR monitoring.



DR Monitoring



Reliability Center

Bigger than DR: Do More with Less

1-Stop DR Solution

- All the components including virtualization, management, DR and even cloud are developed and optimized by Sangfor, providing customers with a single-vendor solution with no-hassle support.

Radically Simplified O&M

- Compared to traditional DR solution, aCloud DR consolidates virtualization, management and DR into a single platform, visualized GUI is provided to help you manage and monitor your DR effortlessly with no DR professional required.



Rapid Time to Market

- Simply activate a license and DR can be implemented right away. A step-by-step DR configuration wizard is also provided to simplify and expedite DR set-up, enabling unprecedented time-to-value.

The DR for Everyone

- No additional backup software or components and no extra layer of management. DR on aCloud is designed for every business, big or small.

Disaster recovery requires licensing to function on Sangfor aCloud. Please contact your local Sangfor sales representative for commercial information. To learn more about DR on aCloud, please refer to Sangfor aCloud Disaster Recovery Technical White Paper and User Manual.



SANGFOR

Your One-Stop Solution Provider for Network Security & Cloud Computing

Global Service Center: +60 12711 7129 (7511)

www.sangfor.com / sales@sangfor.com



SANGFOR WEBSITE